

# Alignment Repair Process

4-----A: Right : **two along** from the bottom **one up**:

5-----B: **Two along** from the bottom, which side?

6-----A: The left : going from left to right in the **second box**.

7-----B: You're in the **second box**.

.....

41----B: You are starting from the left, you're **one along, one up**?

42----A: **Two along** : I'm not in the first box, I'm in the **second box**:

43----B: You're **two along**:

44----A: **Two up** (1 sec.) counting the: if you take : the first box as being one up :

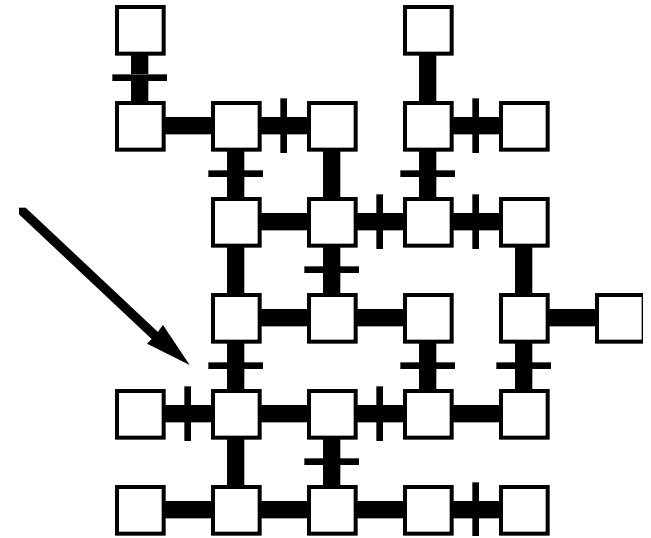
45----B: (2 sec.) Uh-huh :

46----A: Well : I'm **two along, two up**: (1.5 sec.)

47----B: **Two up** ? :

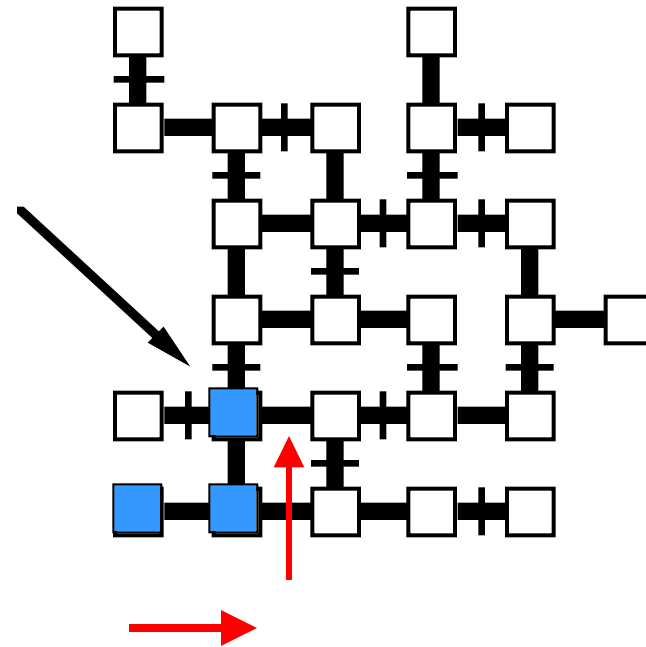
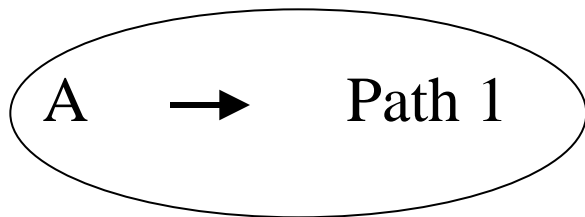
48----A: Yeah (1 sec.) so I can move down one:

49----B: Yeah, I see where you are:



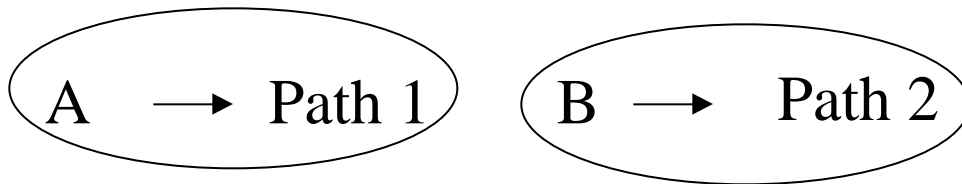
# Stage 1

- 1-----**B:** .... Tell me where you are?
- 2-----**A:** Ehm : Oh God (*laughs*)
- 3-----**B:** (*laughs*)
- 4-----**A:** Right : **two along from the bottom one up:**
- 5-----**B:** Two along from the bottom, which side?

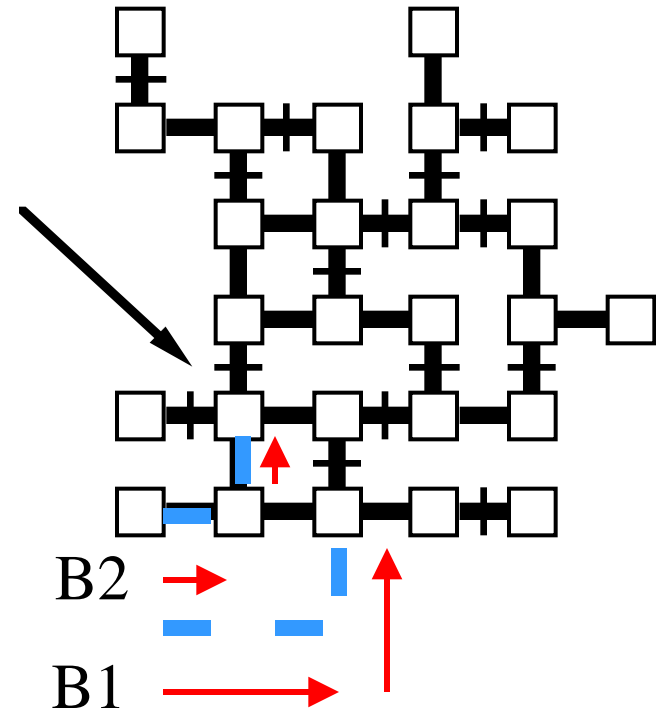


# Stage 2

- 5-----**B:** Two along from the bottom, which side?  
6-----**A:** The left : going from left to right in the *second box*.  
7-----**B:** You're in the *second box*.  
8-----**A:** One up :(1 sec.) I take it we've got identical mazes?  
9-----**B:** Yeah well : right, starting from the left, **you're one along**:  
10----**A:** Uh-huh:  
11----**B:** and one up?



Misaligned situation model



# Stage 3

41----**B:** You are starting from the left, **you're one along, one up?**(2 sec.)

42----**A:** **Two along** : I'm not in the first box, I'm in the second box:

43----**B:** You're **two along**:

44----**A:** **Two up** (1 sec.) counting the : if you take : the first box as being one up :

45----**B:** (2 sec.) Uh-huh :

46----**A:** Well : I'm **two along, two up:** (1.5 sec.)

47----**B:** Two up ? :

48----**A:** Yeah (1 sec.) so I can move down one:

49----**B:** Yeah I see where you are:

A & B Co-ordinate Description

Aligned situation model

